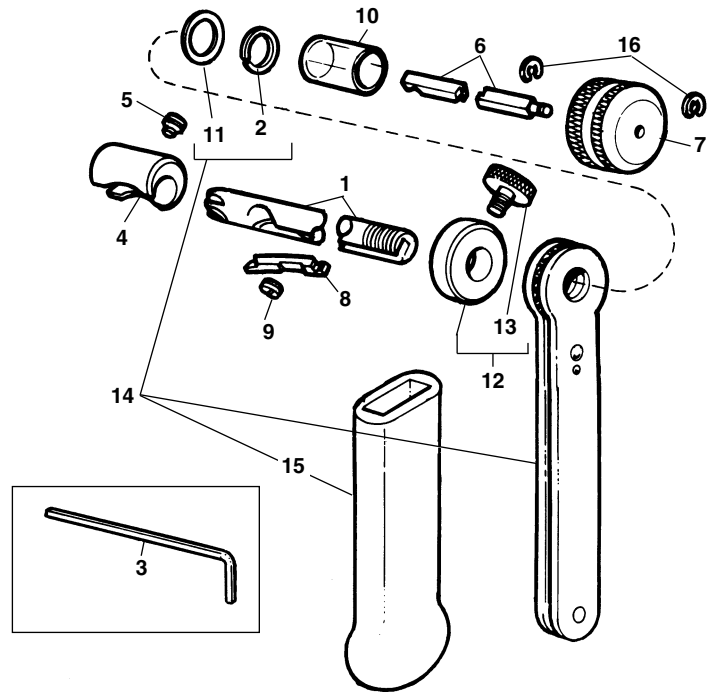


No. 102 Copper Tubing Cutter

Capacity: 1/2" through 3/4" I.D.

NOTE: Order parts by Catalog Number only.
DO NOT order by Reference Number.

Ref. No.	Catalog No.	Description
—	32970	102 Tubing Cutter
1	32735	Cutter Bar
2	33685	Retaining Ring (2)
3	46015	5/32" Socket Head Wrench
4	33780	3/4" Guide Bushing
5	33785	Set Screw
6	33810	Feed Rod
7	33815	Knob
8	33820	Cut-Off Tool
9	33825	Lock Screw
10	33835	Finger Guard
11	33840	Nylon Washer (2)
12	33845	Stop Collar Assembly
13	33850	Thumb Screw
14	33855	Ratchet Assembly
15	33860	Handgrip
16	33830	Clip (2)



No. 106 Copper and Plastic Tubing Cutter

Capacity: 2" through 3" I.D.

Ref. No.	Catalog No.	Description
—	33005	106 Tubing Cutter
1	33475	Cut Off Gage Slide
2	33865	Cut Off Gage
3	33870	2" Roll Cage
4	33875	3" Roll Cage
5	33880	Feed Screw w/Knob
6	33885	Gage Rod
7	87855	Thumb Screw
8	33895	Sleeve
9	33900	Pivot Bar
10	33905	Thumb Screw
11	33910	Wheel Screw
12	33915	Roll (4)
13	33920	Roll Pin (4)
14	33925	Pivot Pin (2)
15	33170	Cutter Wheel
16	33180	Cutter Wheel (for plastic)

